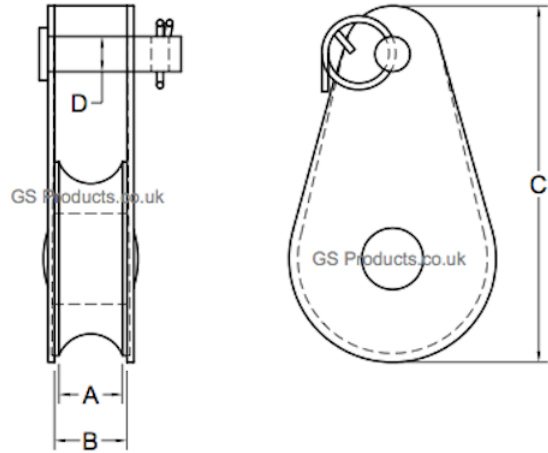


Stainless Steel Pulley Blocks Removable Pin



Product Name	A (mm)	B (mm)	D (mm)	C (mm)	Break Load (Kgs)
Stainless Steel Pulley Block Removable Pin	10	12	5	44	100

Note - Product sizes are liable to change from time to time, if your dimension requirements are critical, please contact us.